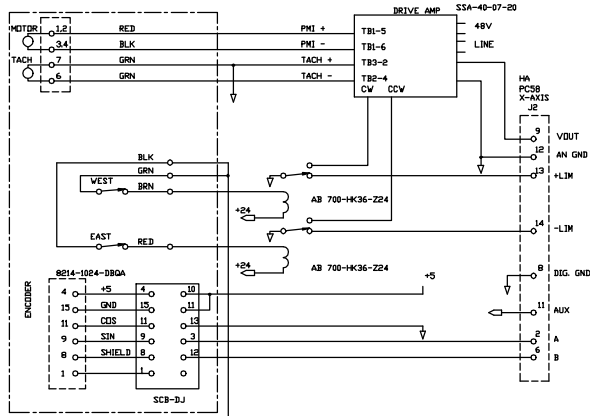
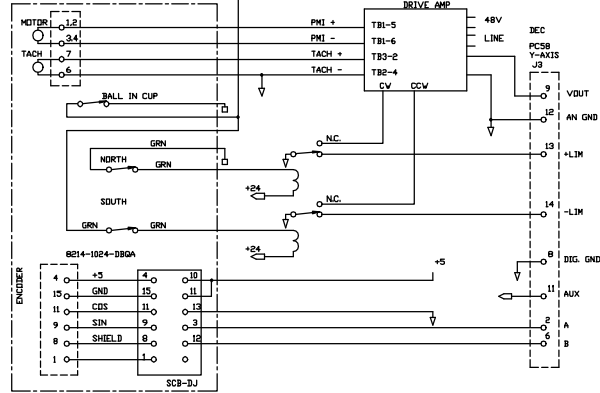


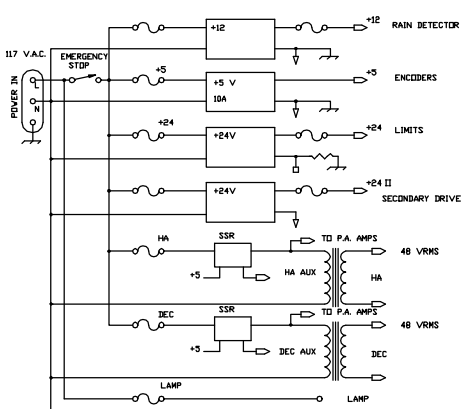
HA DRIVE



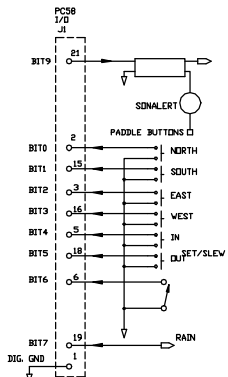
DEC DRIVE



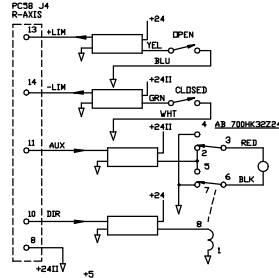
POWER



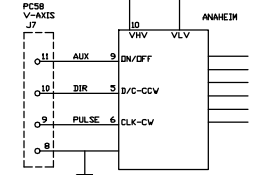
DIGITAL I/O



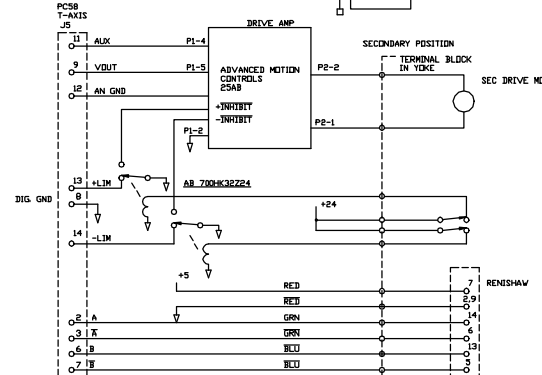
MIRROR COVER



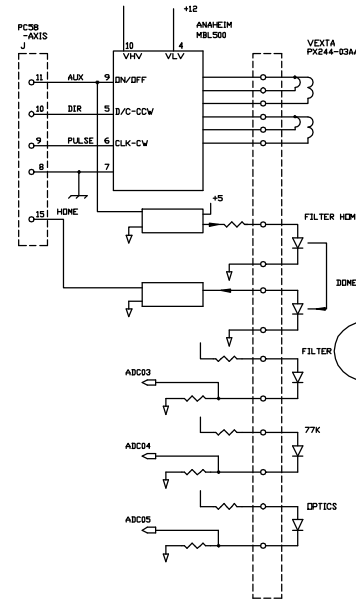
FLIP MIRROR



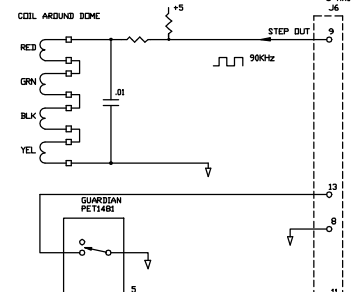
SECONDARY



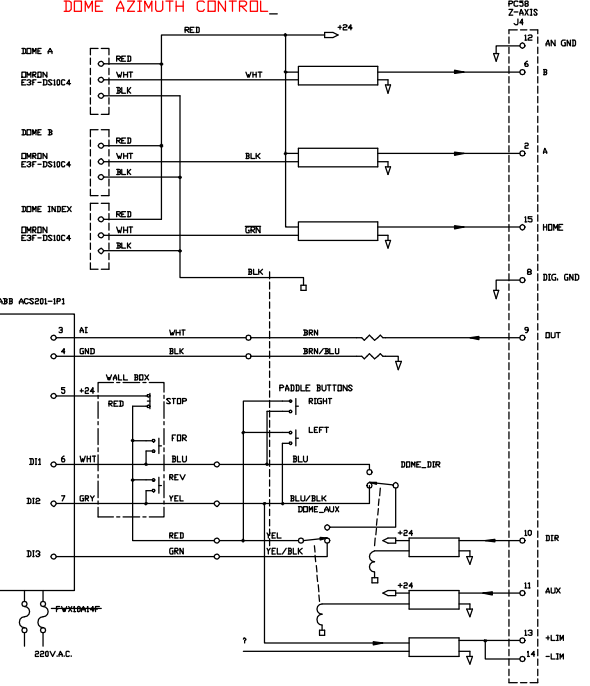
I.R. FILTER WHEEL



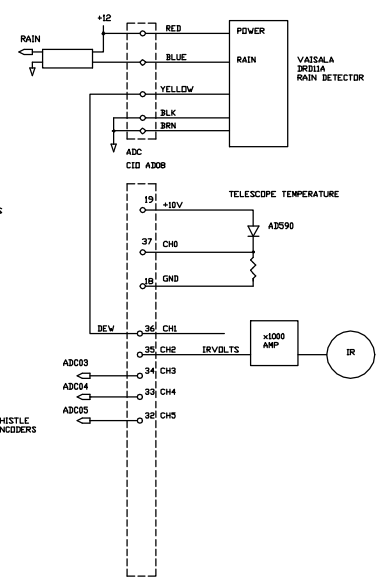
DOME SLIT OPENER



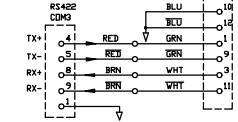
DOME AZIMUTH CONTROL



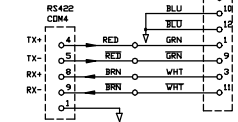
WEATHER



HA ENCODER



DEC ENCODER



LEUSCHNER OBSERVATORY			
UNIVERSITY OF CALIFORNIA - BERKELEY			
LEUSCHNER THIRTY INCH TELESCOPE			
TELESCOPE DRIVE			
OVERALL SYSTEM			
REV RRT	DATE 7/11/2000	DESIGNER	SCALE - Not To Scale
SECTION 01		DWG TYPE	35E039 REV