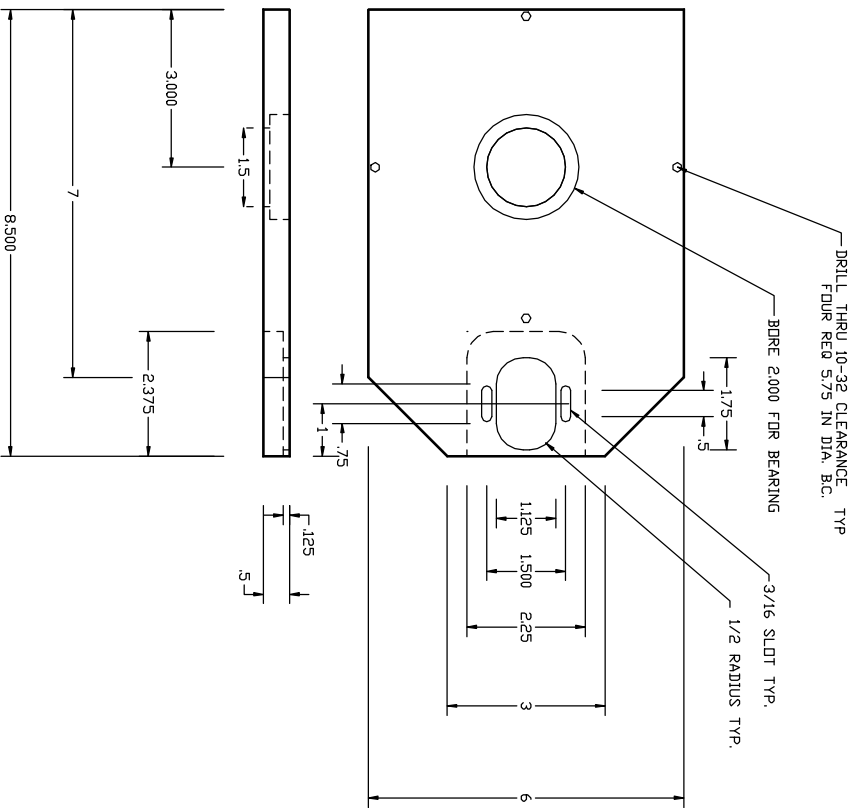


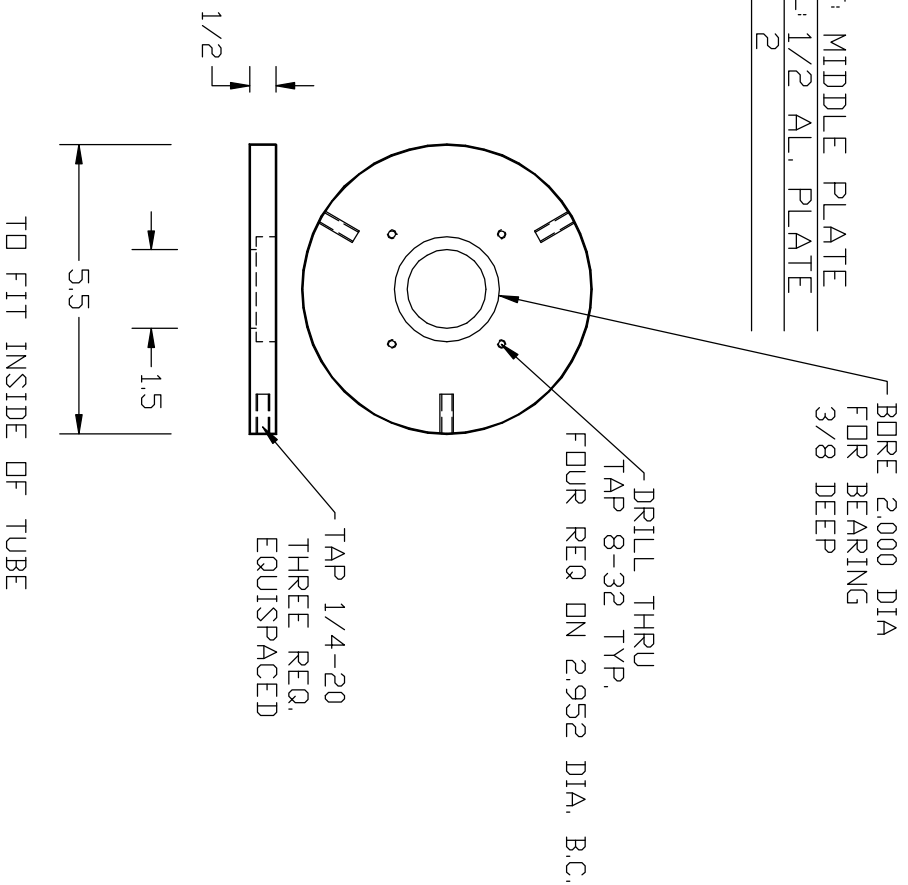
5
1

PART: TOP PLATE
MAT'L: 1/2 AL. PLATE
QTY: 2



5
2

PART: MIDDLE PLATE
MAT'L: 1/2 AL. PLATE
QTY: 2



UGASTRO
UNIVERSITY OF CALIFORNIA - BERKELEY
12GHZ DISH MOUNT
TUBE PLATES

DWG BY DESIGN	R. TREFFERS	DATE	6/27/97	SHOWN DN	RTEL001	SCALE	Not To Scale	DWG No	RTEL005	REV
---------------------	-------------	------	---------	-------------	---------	-------	--------------	-----------	---------	-----