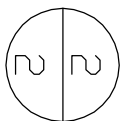
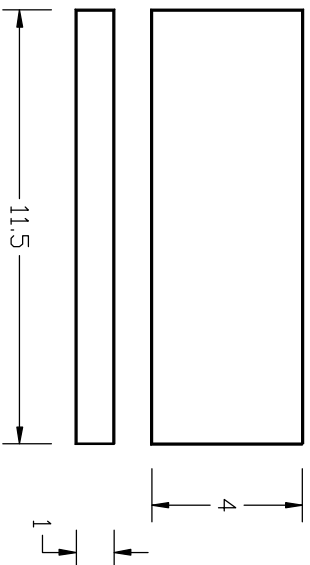
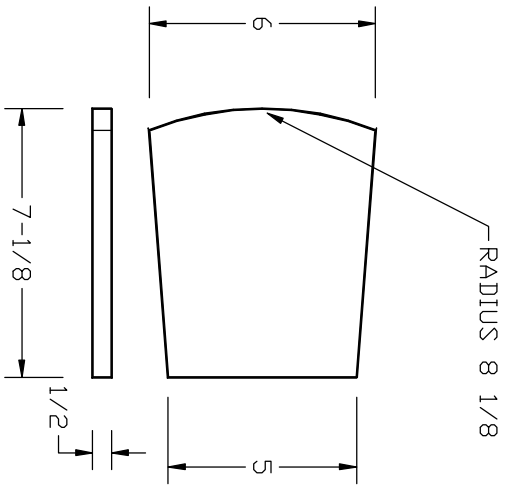


PART: COUNTERWEIGHT
 MAT'L: 1/2 STEEL
 QTY: 8



PART: MOUNT
 MAT'L: 1 INCH STEEL
 QTY: 2



Contact:

Dick Treffers
 510-642-4223
 642-3411 (FAX)

UGASTRO UNIVERSITY OF CALIFORNIA - BERKELEY			
12GHZ DISH MOUNT COUNTERWEIGHTS			
DWG BY DESIGN	R. TREFFERS	DATE	6/27/97
SHOWN DN	RT	TEL	001
SCALE :	Not To Scale		
DWG No	RT	TEL	002
REV			