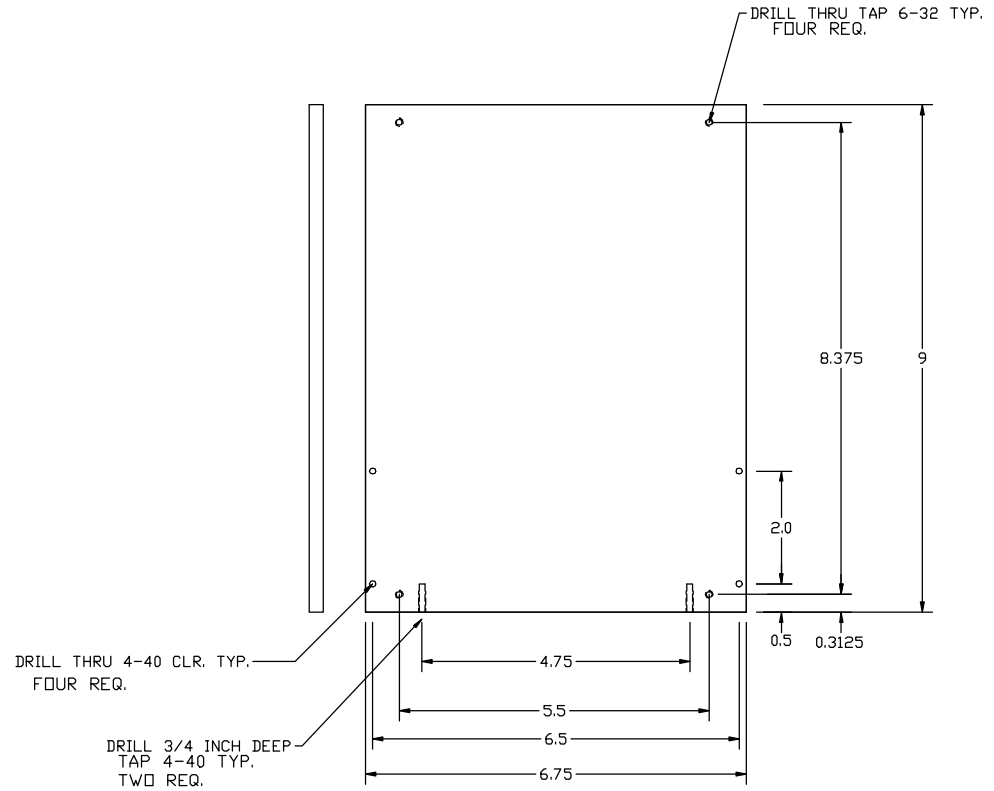
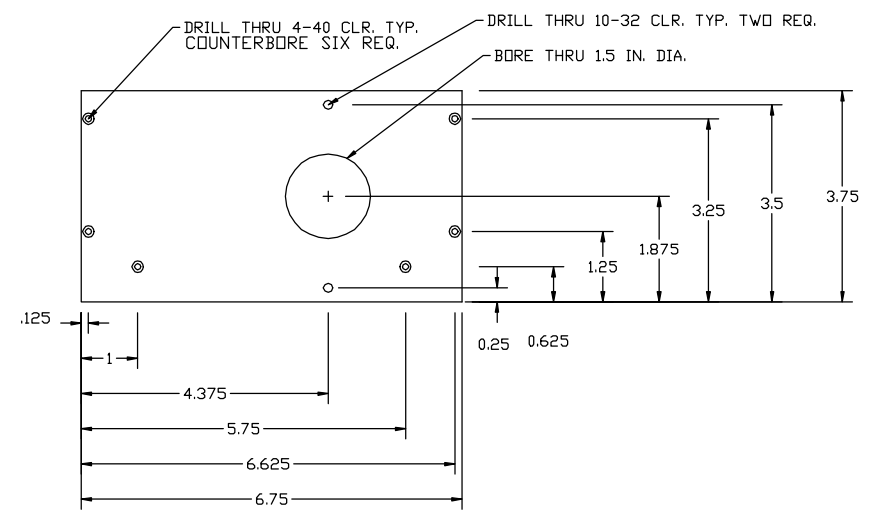


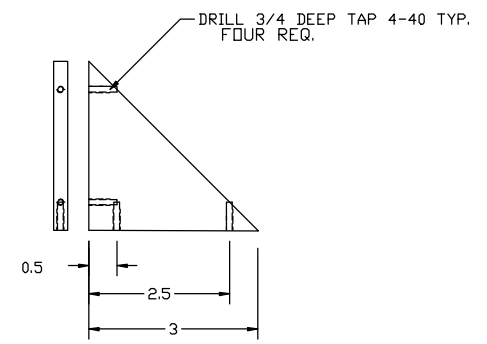
11 PART: BASE PLATE
 MAT'L: 1/4 ALUMINUM
 QTY: ONE REQ.



11 PART: FRONT PLATE
 MAT'L: 1/4 ALUMINUM
 QTY: ONE REQ.



11 PART: GUSSETS
 MAT'L: 1/4 ALUMINUM
 QTY: TWO REQ.



LEUSCHNER OBSERVATORY				
<small>UNIVERSITY OF CALIFORNIA - BERKELEY</small>				
OSETI MARK II				
MOUNTING PLATE - THIRTY INCH TELESCOPE				
PARTS				
DWG BY: R. TREFFERS	DATE: 2/5/01	SHOWN ON: SETI010	SCALE: Not To Scale	
DESIGN BY:		DWG TYPE:	DWG No: SETI011	REV: