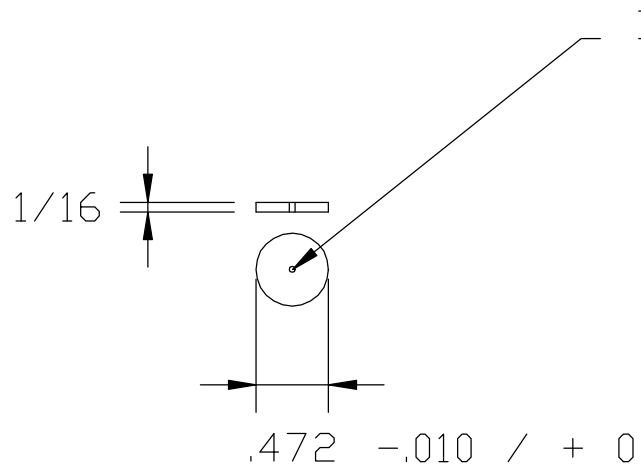


9
1

PART: APERTURES
 MAT'L: ALUMINUM
 QTY: SIX REQ.

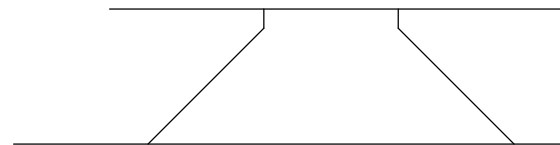


DRILL THRU ONE EACH

- 0.5 MM
- 1.0 MM
- 2.0 MM
- 3.0 MM
- 4.0 MM
- 5.0 MM

COUNTERDRILL
 OTHER SIDE
 TO GET
 SHARP EDGE

DETAIL



LEUSCHNER OBSERVATORY				
<small>UNIVERSITY OF CALIFORNIA - BERKELEY</small>				
OSETI MARK II				
MOUNTING PLATE - NICKEL TELESCOPE				
APERTURES				
DWG BY	R. TREFFERS	DATE	12/12/00	SHOWN DN
DESIGN BY		DWG TYPE	OSETI004	SCALE: Not To Scale
			DWG No	REV
			SETI009	