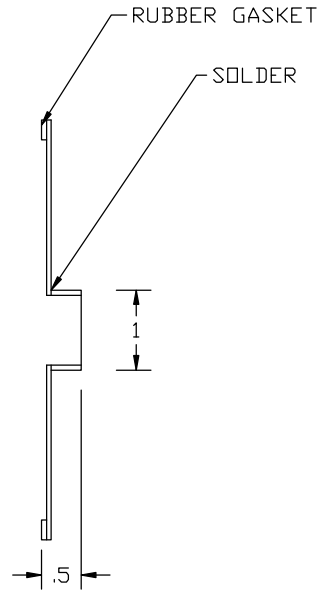
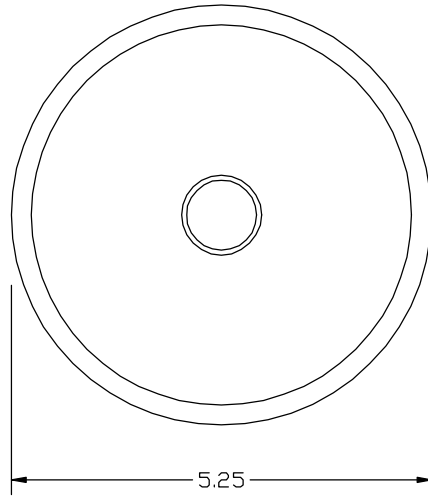


8
1

PART: DARK SHIELD
 MAT'L: 1/6 PC BOARD
 QTY: ONE REQ.



LEUSCHNER OBSERVATORY				
UNIVERSITY OF CALIFORNIA - BERKELEY				
OSETI MARK II				
MOUNTING PLATE - NICKEL TELESCOPE				
DARK SHIELD				
DWG BY	R. TREFFERS	DATE	11/21/00	SHOWN DN
DESIGN BY				OSETI004
				SCALE: Not To Scale
				DWG No
				SETI008
				REV