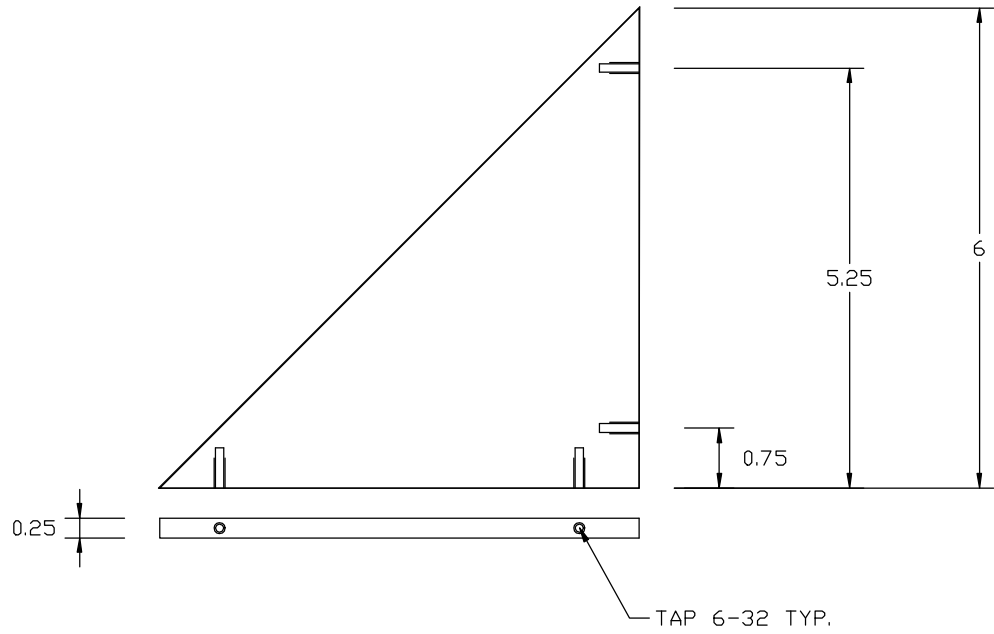


6
1

PART: GUSSET
 MAT'L: 1/4 AL. PLATE
 QTY: TWO REQ.



LEUSCHNER OBSERVATORY

UNIVERSITY OF CALIFORNIA - BERKELEY

OSETI MARK II
 MOUNTING PLATE - NICKEL TELESCOPE
 GUSSETS

DWG BY R. TREFFERS	DATE 11/21/00	SHOWN ON OSETI004	SCALE: Not To Scale
DESIGN BY		DWG TYPE	DWG No SETI006 REV