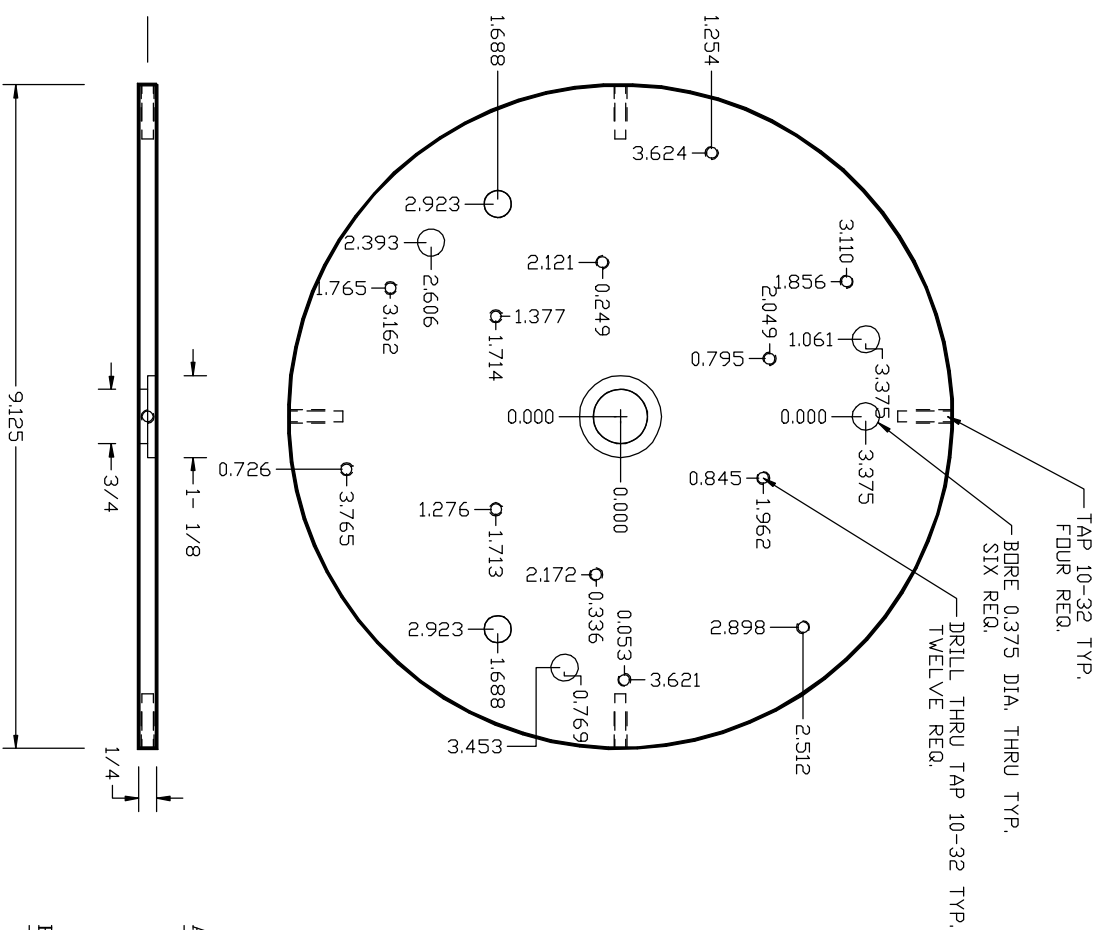
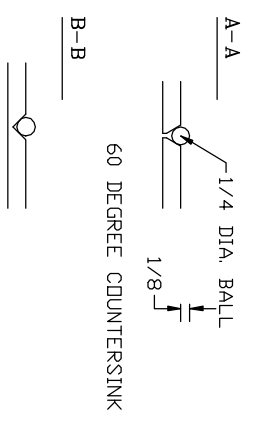
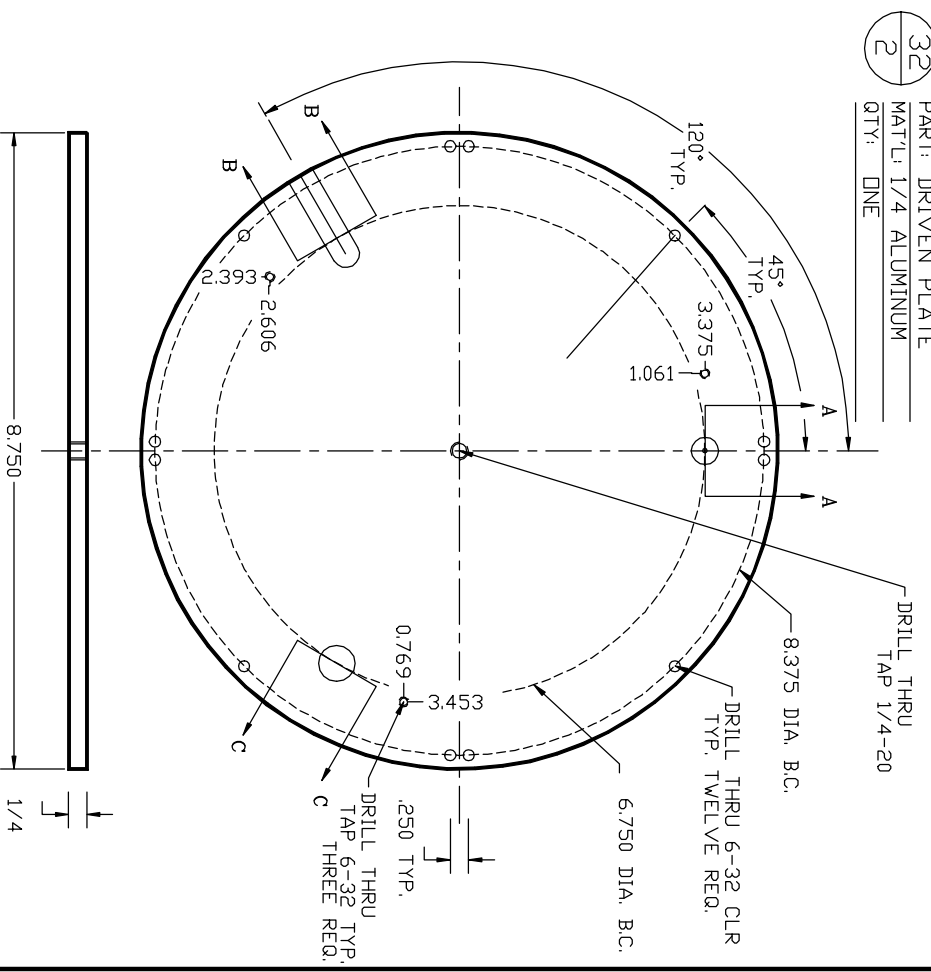


32  
1  
PART: MOTOR PLATE  
MAT'L: 1/4 ALUMINUM  
QTY: ONE



32  
2  
PART: DRIVEN PLATE  
MAT'L: 1/4 ALUMINUM  
QTY: ONE



1/2 DIA. END MILL

LEUSCHNER OBSERVATORY		SHEET NO. KAIT031	
UNIVERSITY OF CALIFORNIA - BERKELEY		DATE 5/22/97	
KATZMAN AUTOMATED IMAGING TELESCOPE		DRAWN BY R. TREFFERS	
TELESCOPE SECONDARY MOUNTING PLATES		SCALE: Not to Scale	
REV. 1		REV. KAIT032	