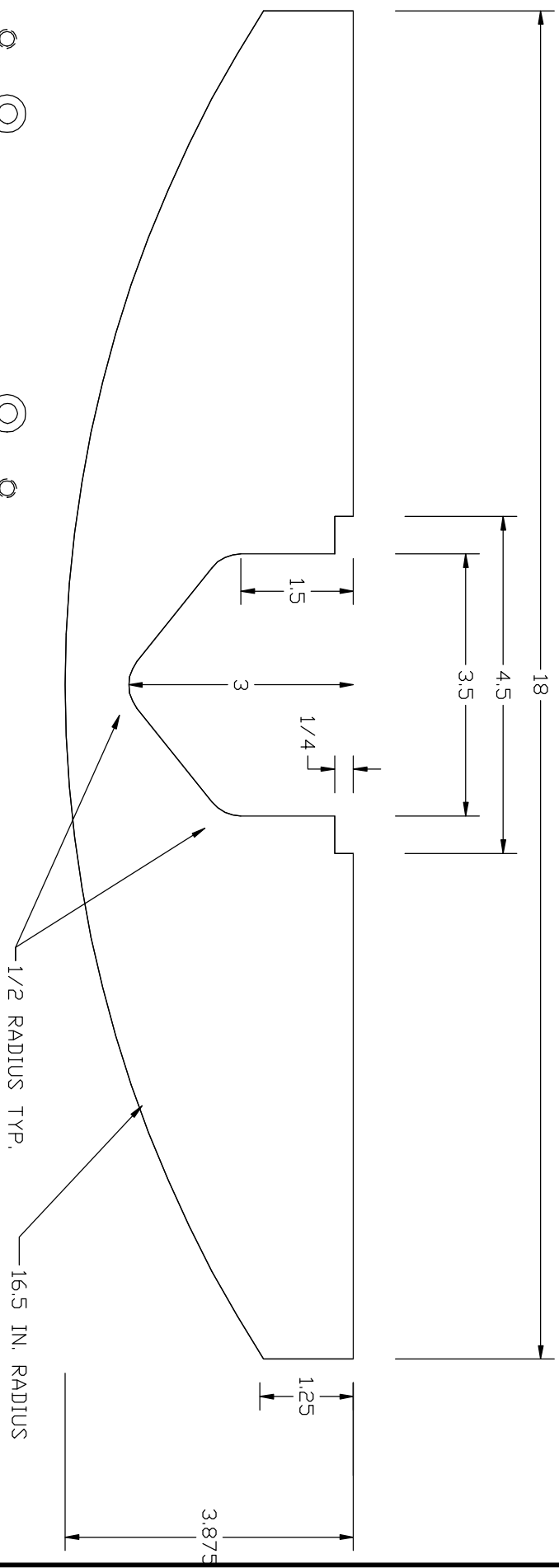


17  
1

PART: BACK WEIGHT  
 MAT'L: 3/4 STEEL  
 QTY: SIX REQ.



LEUSCHNER OBSERVATORY			
UNIVERSITY OF CALIFORNIA - BERKELEY			
KATZMAN AUTOMATIC IMAGING TELESCOPE			
TELESCOPE			
COUNTERWEIGHTS			
DESIGN	DATE	SHOWN	SCALE
BY R. TREFFERS	8/11/95	DN	NOT TO SCALE
BY		DWG TYPE	DWG No
			KAIT017
		REV	