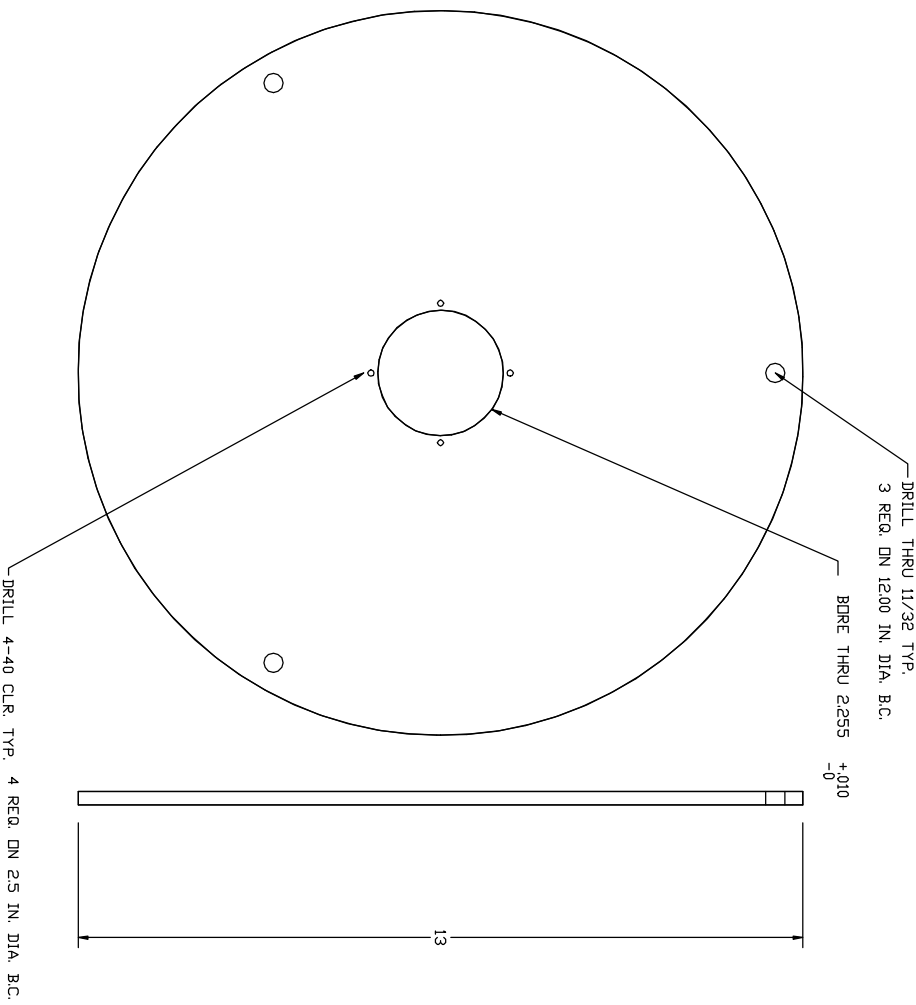


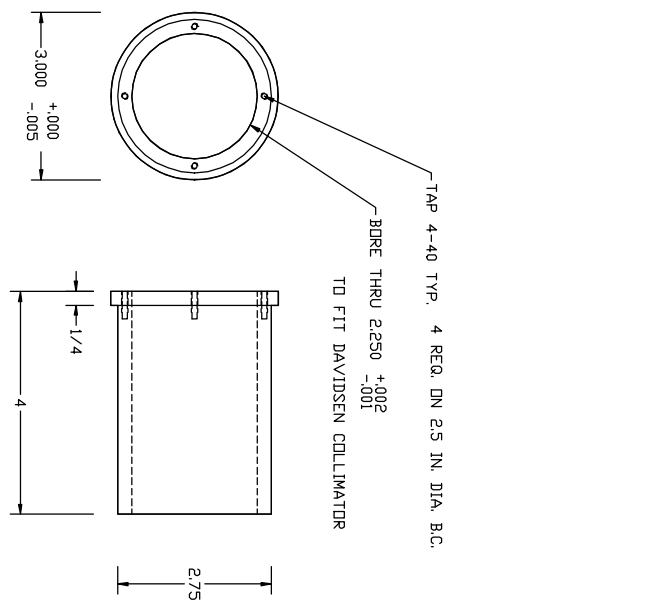
15
1

PART: FLANGE
MAT'L: 1/4 AL. PLATE
QTY: ONE REQ.



15
2

PART: BRACKET
MAT'L: 3 IN AL. ROD
QTY: ONE REQ.



LEUSCHNER OBSERVATORY			
UNIVERSITY OF CALIFORNIA - BERKELEY			
KATZMAN AUTOMATIC IMAGING TELESCOPE			
COLLIMATOR JIG			
PARTS			
DATE	DESIGNED BY	SCALE	REV
7/21/95	KAIT011	1/4" = 1"	KAIT015
DRN	CHK	APP	BY
TR	TR	D	