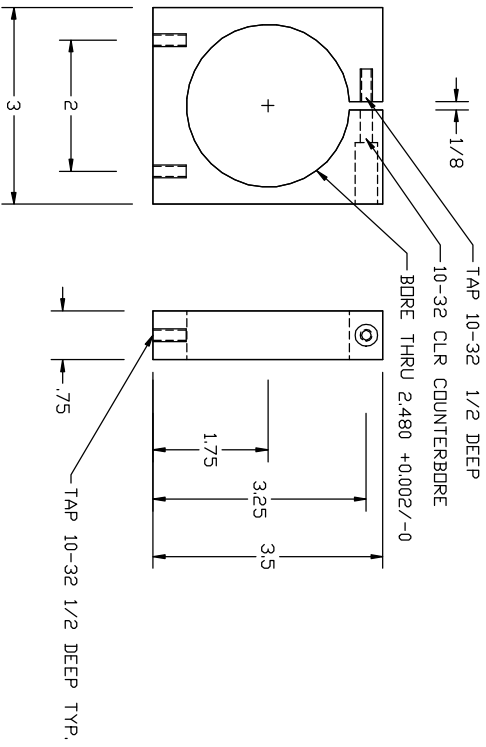
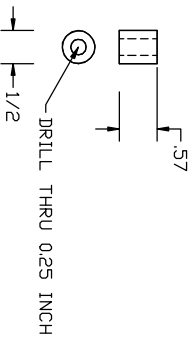


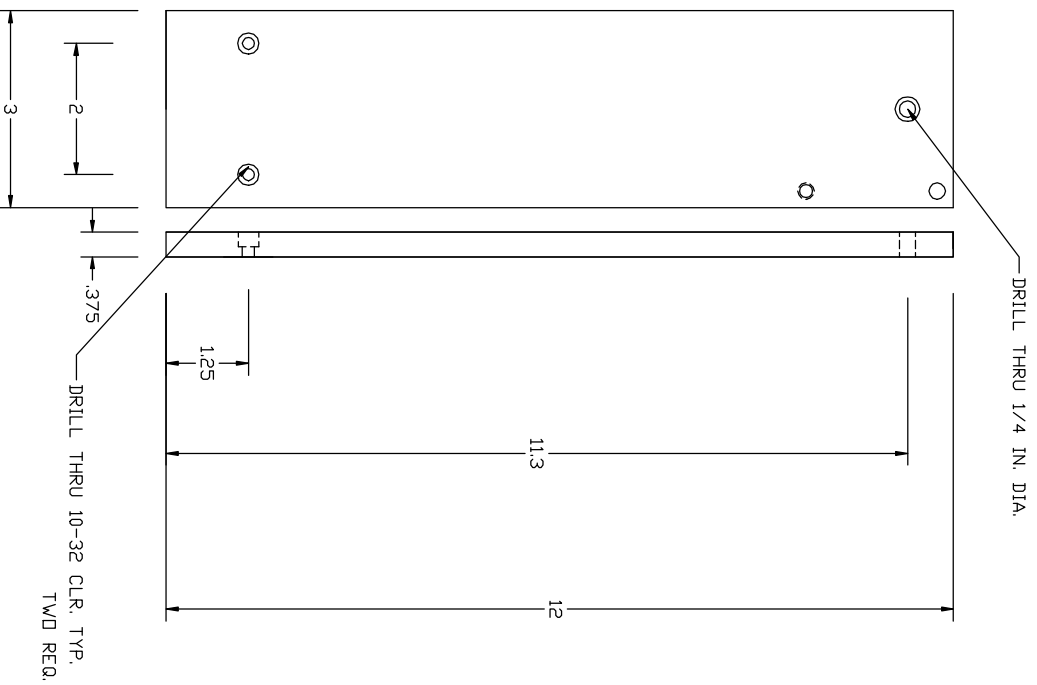
14
1
PART: LENS CLAMP
MAT'L: 3/4 AL. PLATE
QTY: ONE



14
2
PART: CAMERA PILLAR
MAT'L: 1/2 AL. ROD
QTY: ONE



14
3
PART: MOUNTING PLATE
MAT'L: 3/8 AL. PLATE
QTY: ONE



LEUSCHNER OBSERVATORY			
UNIVERSITY OF CALIFORNIA - BERKELEY			
KATZMAN AUTOMATIC IMAGING TELESCOPE			
TV FINDER			
PARTS			
DATE	BY	APPROVED	SCALE
2/21/97	R. TREFTERS	D	1:1
DRAWN BY			DATE
KAITO14			REV