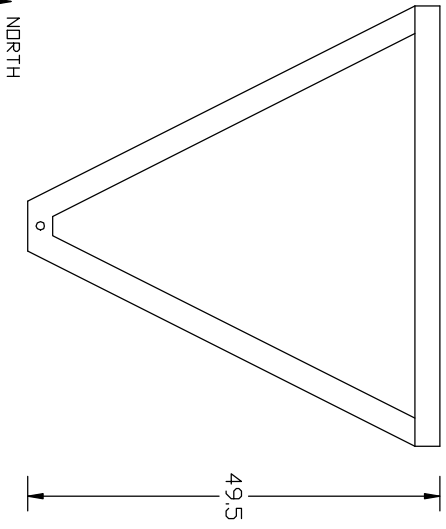
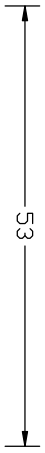
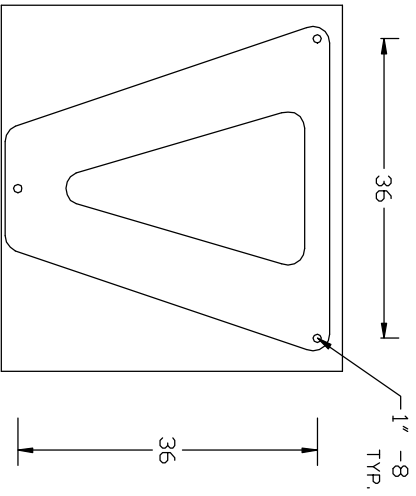


TELESCOPE BASE PLAN VIEW



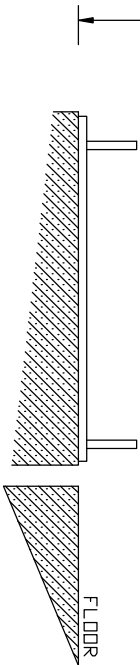
TELESCOPE PIER PLAN VIEW



ELEVATION



50



NORTH

LEUSCHNER OBSERVATORY			
UNIVERSITY OF CALIFORNIA - BERKELEY			
KATZMAN AUTOMATED IMAGING TELESCOPE			
TELESCOPE PLATFORM			
DATE	BY	SCALE	NO.
3/3/95	R. Treffer	1/4" = 1'-0"	KAT1009
REVISION	DATE	BY	NO.