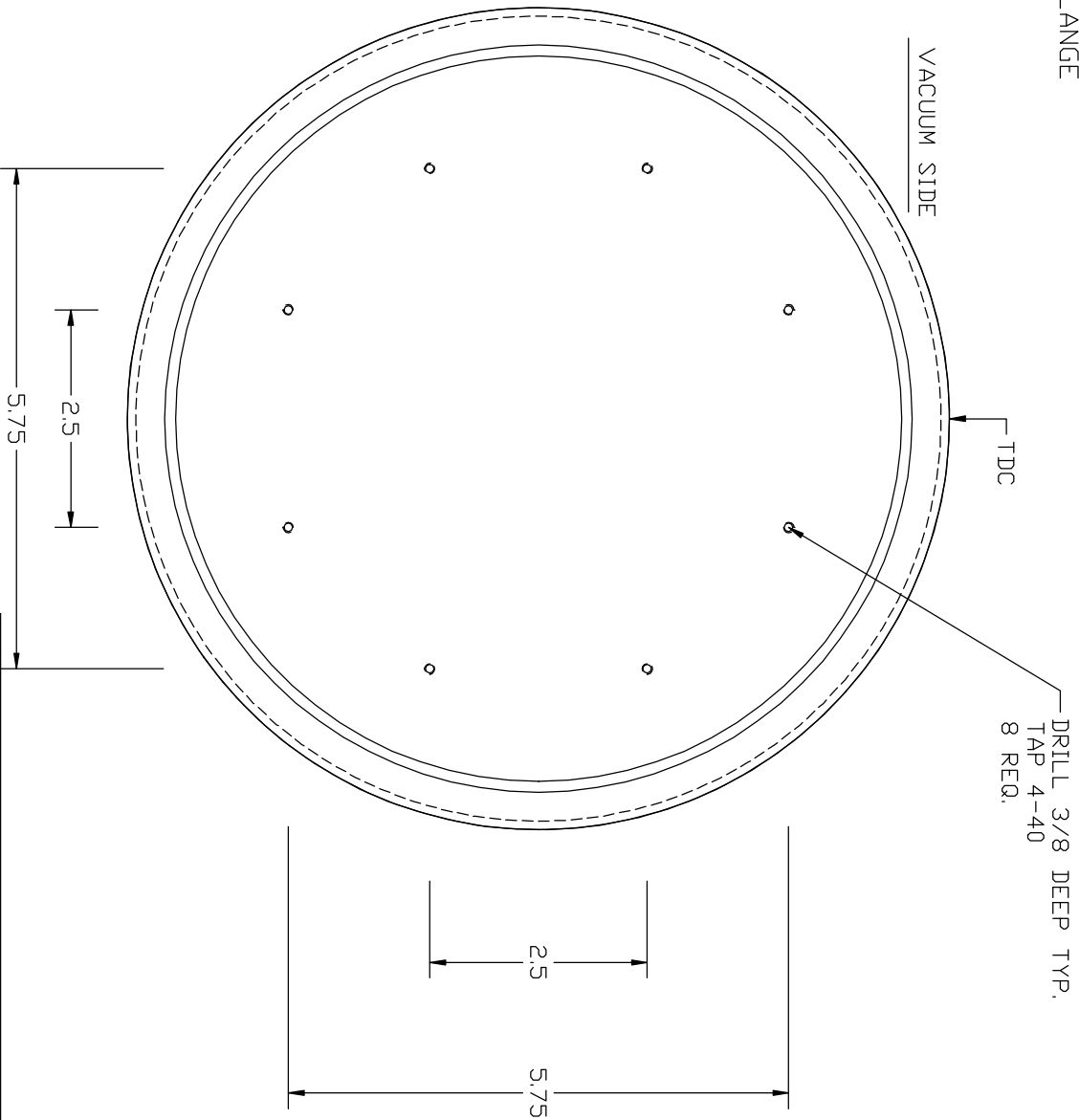
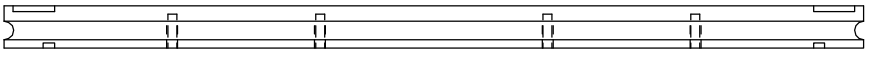


29
1

PART: BACK FLANGE
 MAT'L: SS: NW 200 ISD FLANGE
 QTY: 1



LEUSCHNER OBSERVATORY			
UNIVERSITY OF CALIFORNIA - BERKELEY			
IR CAMERA			
DEWAR MARK II			
BACK FLANGE			
DESIGN BY	DATE	SHOWN BY	SCALE
R. TREFFERS	2/21/2000	IRCAM025	Not to Scale
BR		DETAIL	REV
			IRCAM029