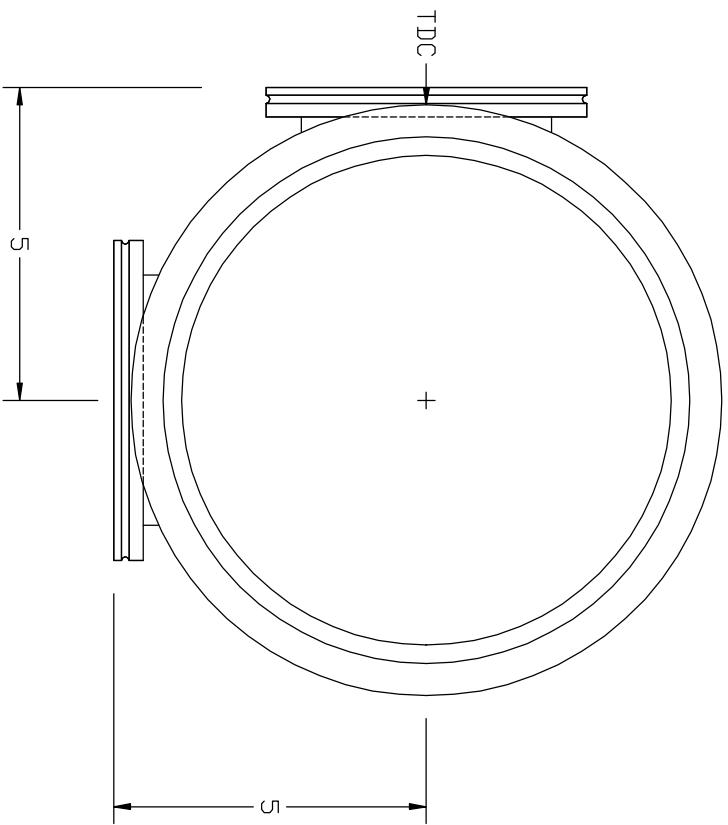
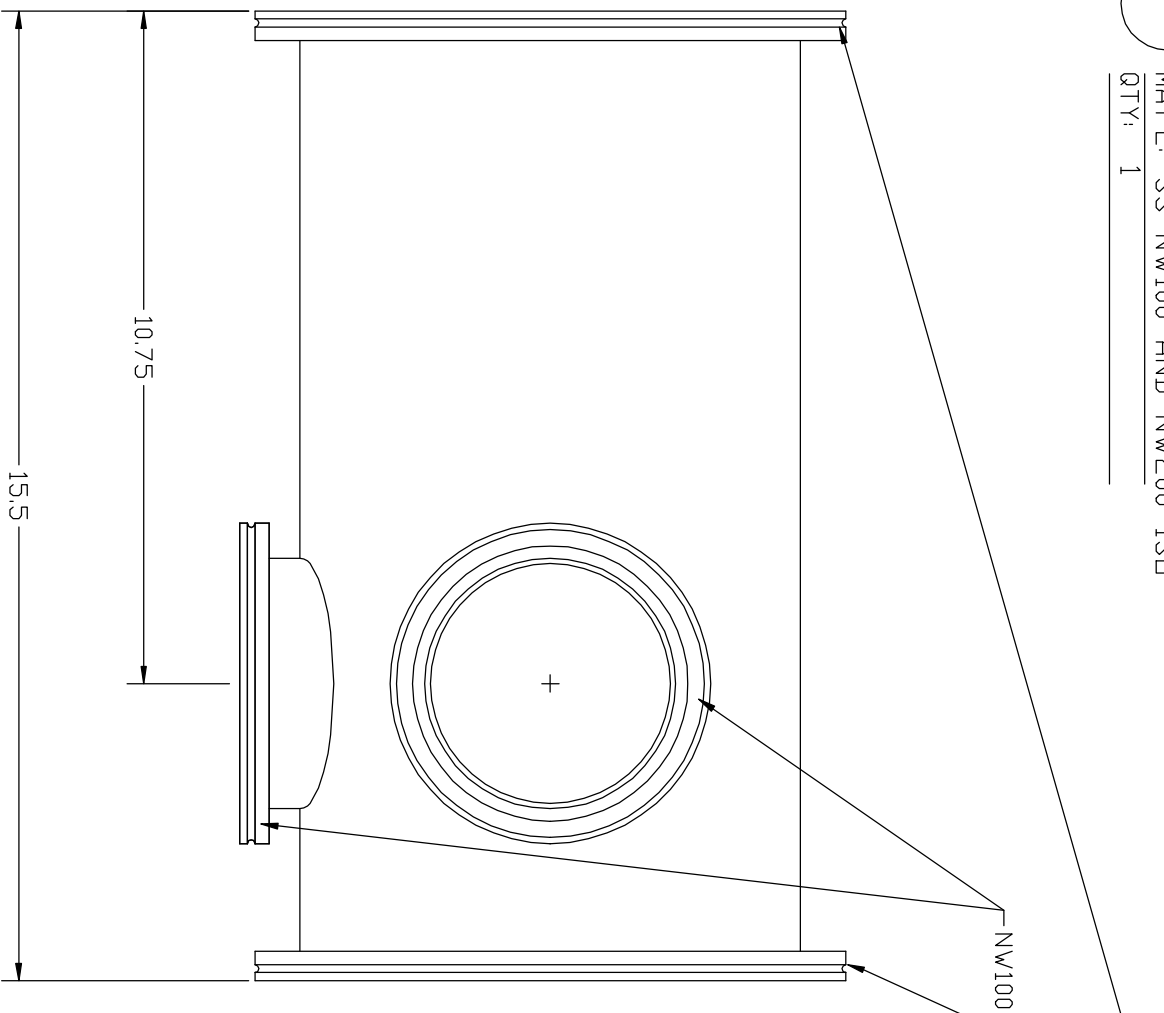


27  
1

PART: DEWAR BODY  
 MAT'L: SS NW100 AND NW200 ISD  
 QTY: 1



LEUSCHNER OBSERVATORY

UNIVERSITY OF CALIFORNIA - BERKELEY

IR CAMERA

DEWAR MARK II

DEWAR BODY

DWG BY	R. TREFFERS	DATE	8/10/2000	SHOWN DN	IRCAM025	SCALE	Not To Scale	REV	
DESIGN BY				DWG TYPE	DETAIL	DWG No	IRCAM027		