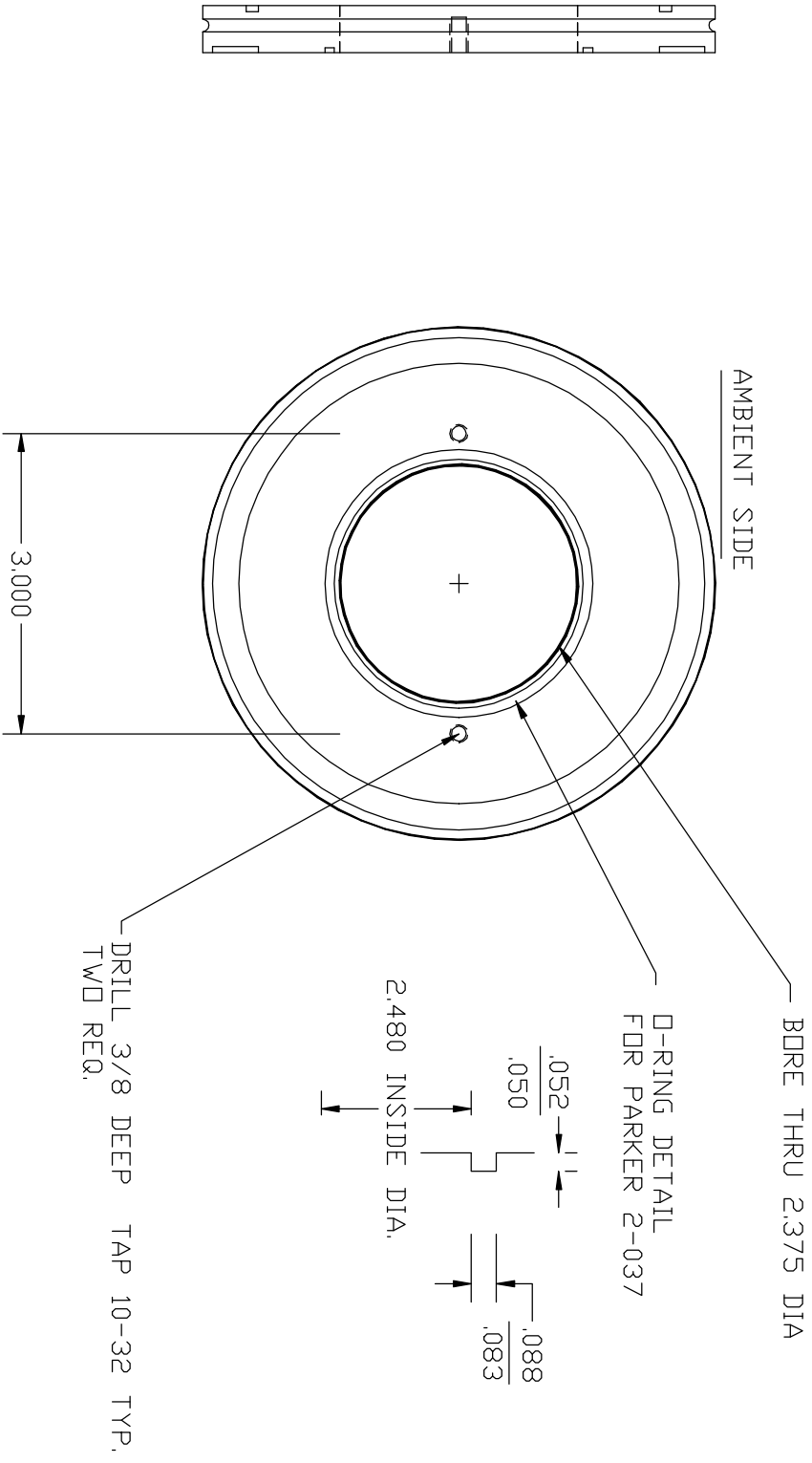


26  
1

PART: REFRIGERATOR MOUNT  
 MAT'L: SS NW100 BLANK ISD FLANGE  
 QTY: 1



<b>LEUSCHNER OBSERVATORY</b>			
UNIVERSITY OF CALIFORNIA - BERKELEY			
IR CAMERA			
DEWAR MARK II			
CTI-21 REFRIGERATOR MOUNT			
DESIGN BY	DATE	SHOWN DN	SCALE: Not To Scale
R. TREFFERS	3/21/2000	IRCAM025	REV
DMG TYPE	DETAIL	DMG No	IRCAM026