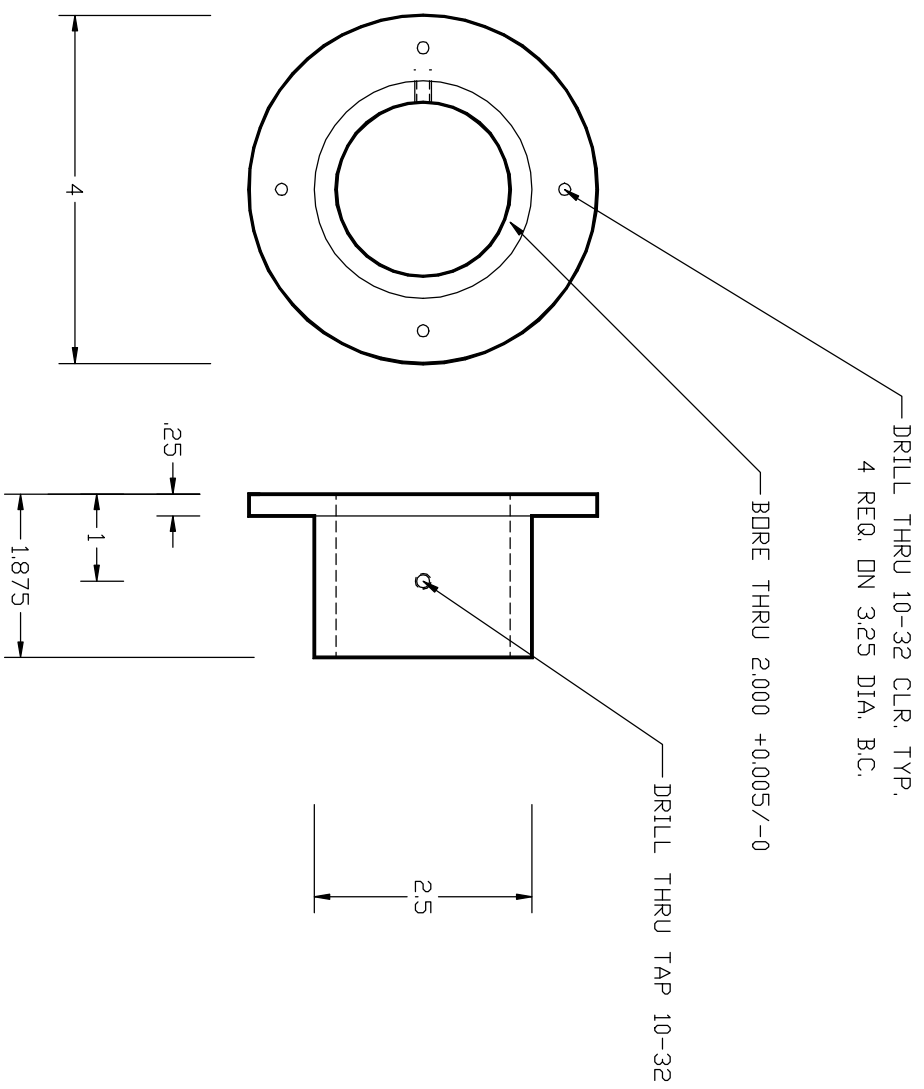


22
1

PART: SETI MOUNT
 MAT'L: 4 INCH AL. ROD
 QTY: ONE REQ.



LEUSCHNER OBSERVATORY			
UNIVERSITY OF CALIFORNIA - BERKELEY			
IR CAMERA			
TELESCOPE MOUNT			
SETI PHOTOMETER MOUNT			
DATE	9/16/1999	DRG	IRCAM013
BY	R. TREFFERS	DN	
REGION		DRG	IRCAM022
		SCALE	NOT TO SCALE
		REV	