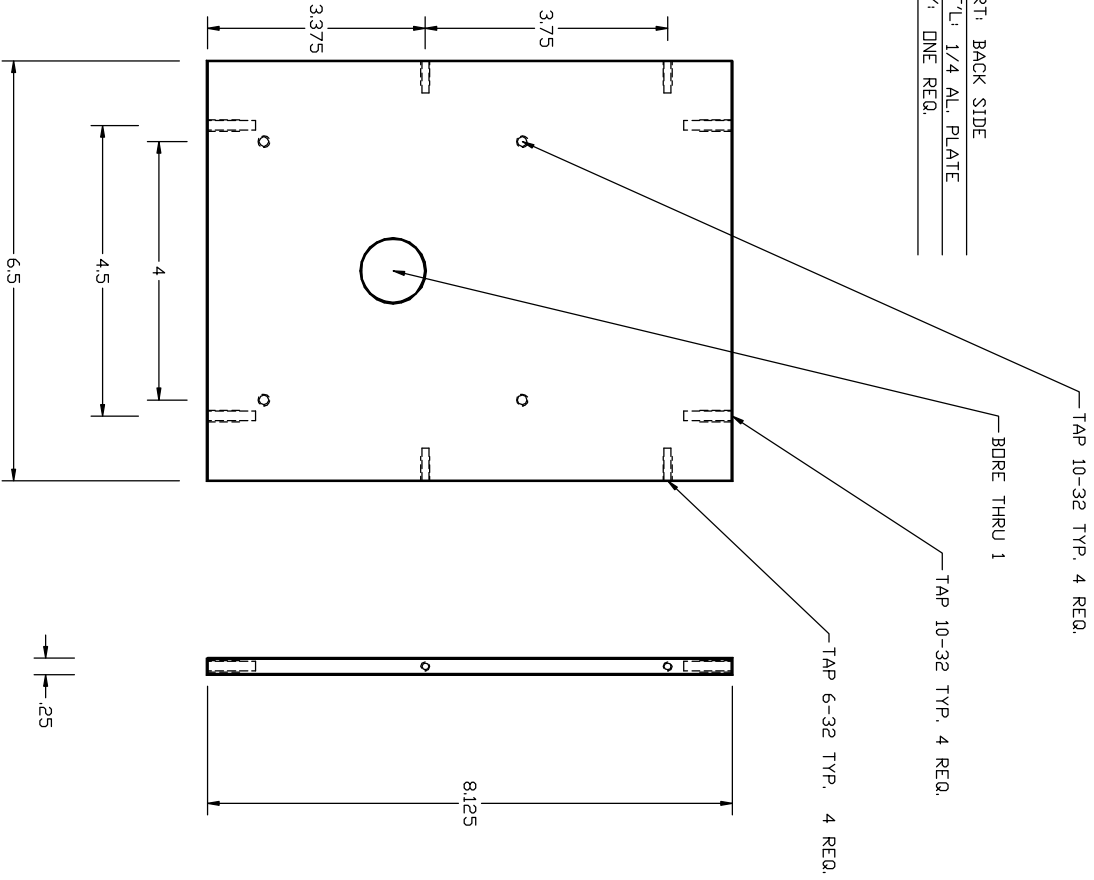


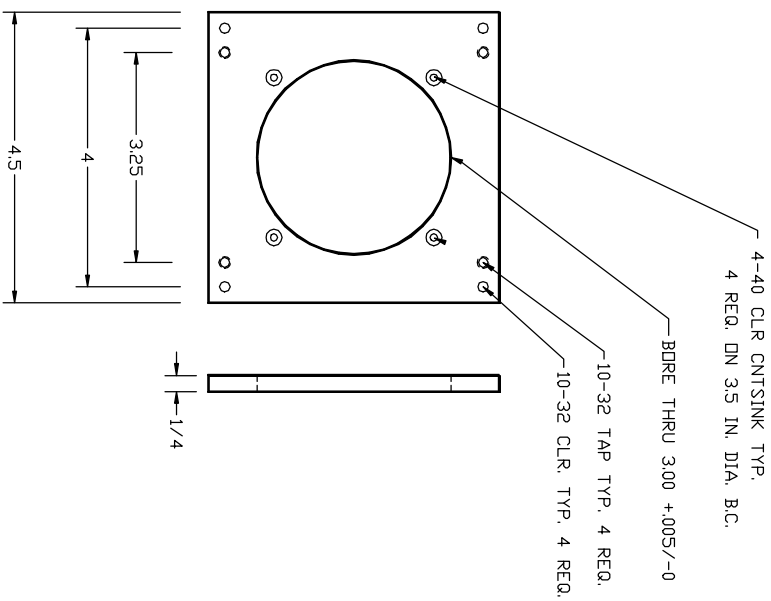
16
1

PART: BACK SIDE
MAT'L: 1/4 AL. PLATE
QTY: ONE REQ.



16
2

PART: PHOTOMETRICS MOUNT
MAT'L: 1/4 AL. PLATE
QTY: ONE REQ.



LEUSCHNER OBSERVATORY

UNIVERSITY OF CALIFORNIA - BERKELEY

IR CAMERA MOUNT-MARK II		DATE		DRAWN BY		SCALE	
TELESCOPE MOUNT-MARK II		8/1/00		JRCAM013		Next to Scale	
BACK SIDE				REV			
BY: R. TREFFERS				JRCAM016			
SECTION				REV			