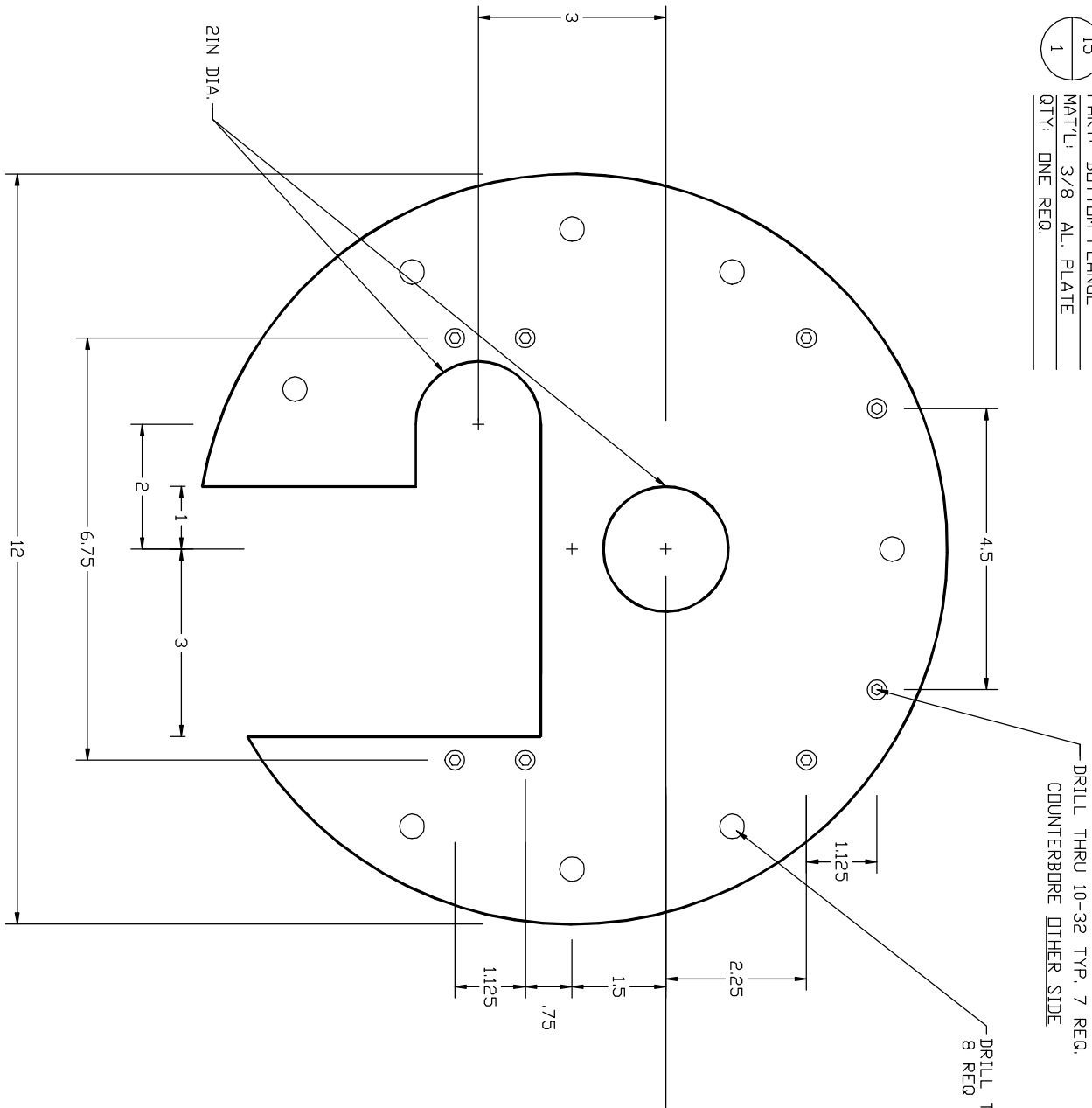


15
1

PART: BOTTOM FLANGE  
 MAT'L: 3/8 AL. PLATE  
 QTY: ONE REQ.



DRILL THRU 10-32 TYP. 7 REQ.  
 COUNTERBORE OTHER SIDE

DRILL THRU 10MM DIA.  
 8 REQ ON 12 POS 260MM DIA. B.C.

LIEUSCHNER OBSERVATORY			
UNIVERSITY OF CALIFORNIA - BERKELEY			
IR CAMERA			
TELESCOPE MOUNT-MARK II			
BOTTOM FLANGE			
DATE	DATE	SCALE	REV
10/3/00	IRCAM013	AS TO SCALE	
BY	CHKD	APP'D	REV
TREFFERS	IRCAM013		IRCAM015