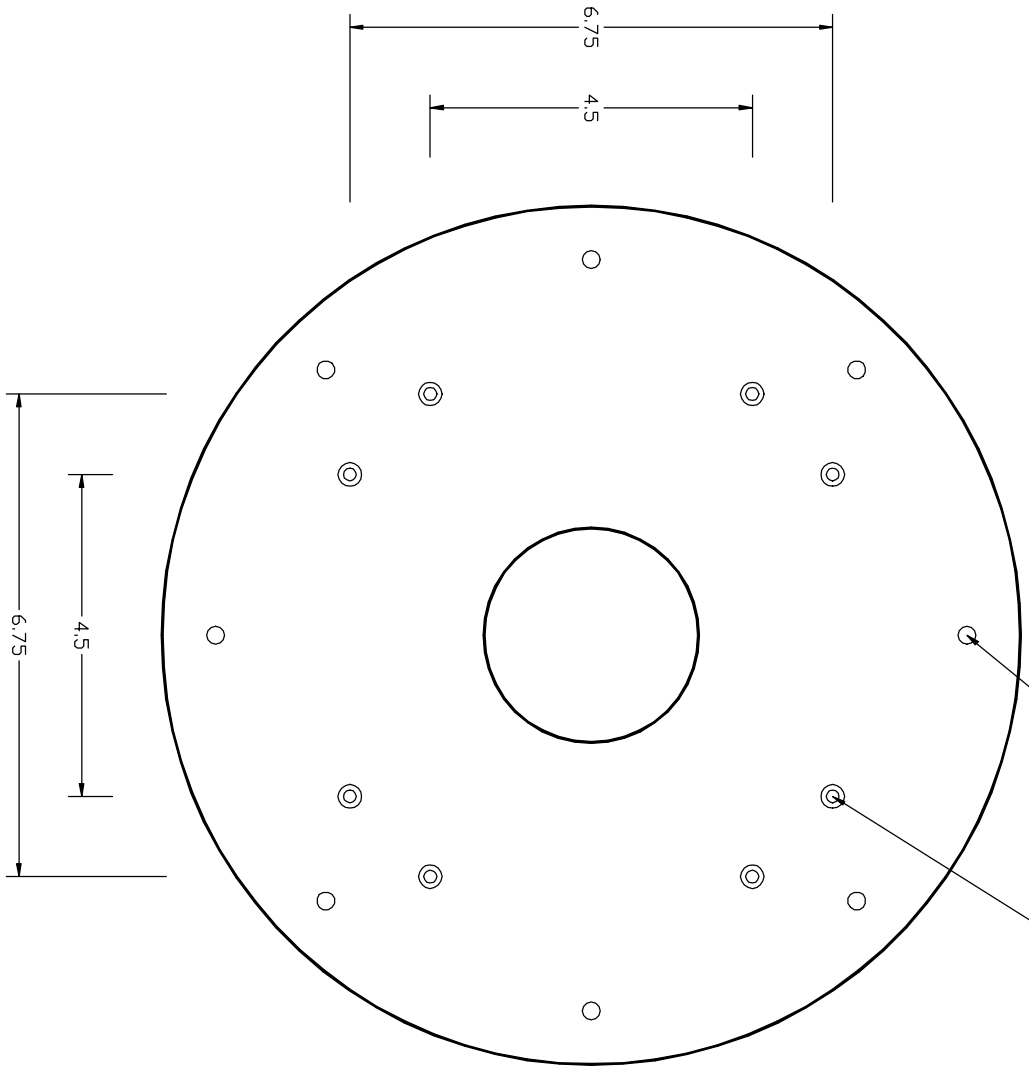
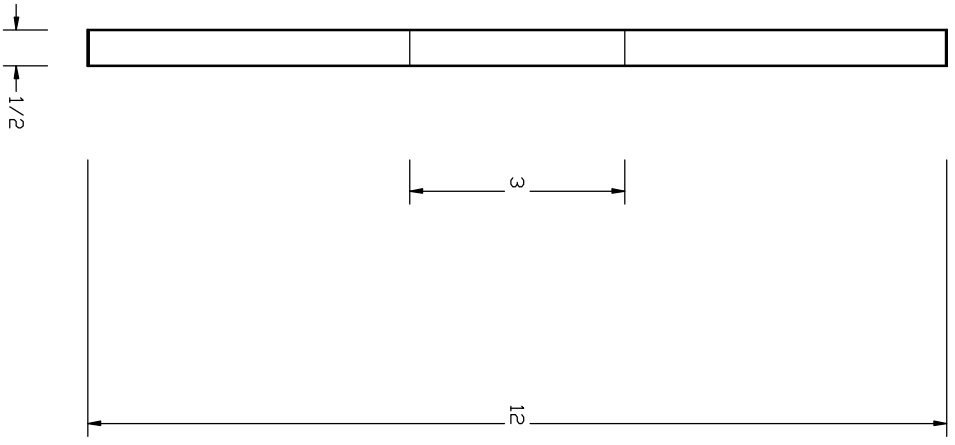


14
1

PART: TOP FLANGE
 MAT'L: 1/2 AL. PLATE
 QTY: ONE REQ.



DRILL THRU 1/4-20 CLR. TYP.
 8 REQ. DN 10.5 IN. DIA. B.C.
 DRILL THRU 10-32 CLR. COUNTERBORE
 TYP. 8 REQ.



LEUSCHNER OBSERVATORY			
UNIVERSITY OF CALIFORNIA - BERKELEY			
TR CAMERA			
TELESCOPE MOUNT			
TOP FLANGE			
DATE	BY	REV	NO
9/15/98	R. TREFFERS		
SHOW NAME			
IN IRCAM013			
SCALE 1. NOT TO SCALE			
REV			
IN IRCAM014			