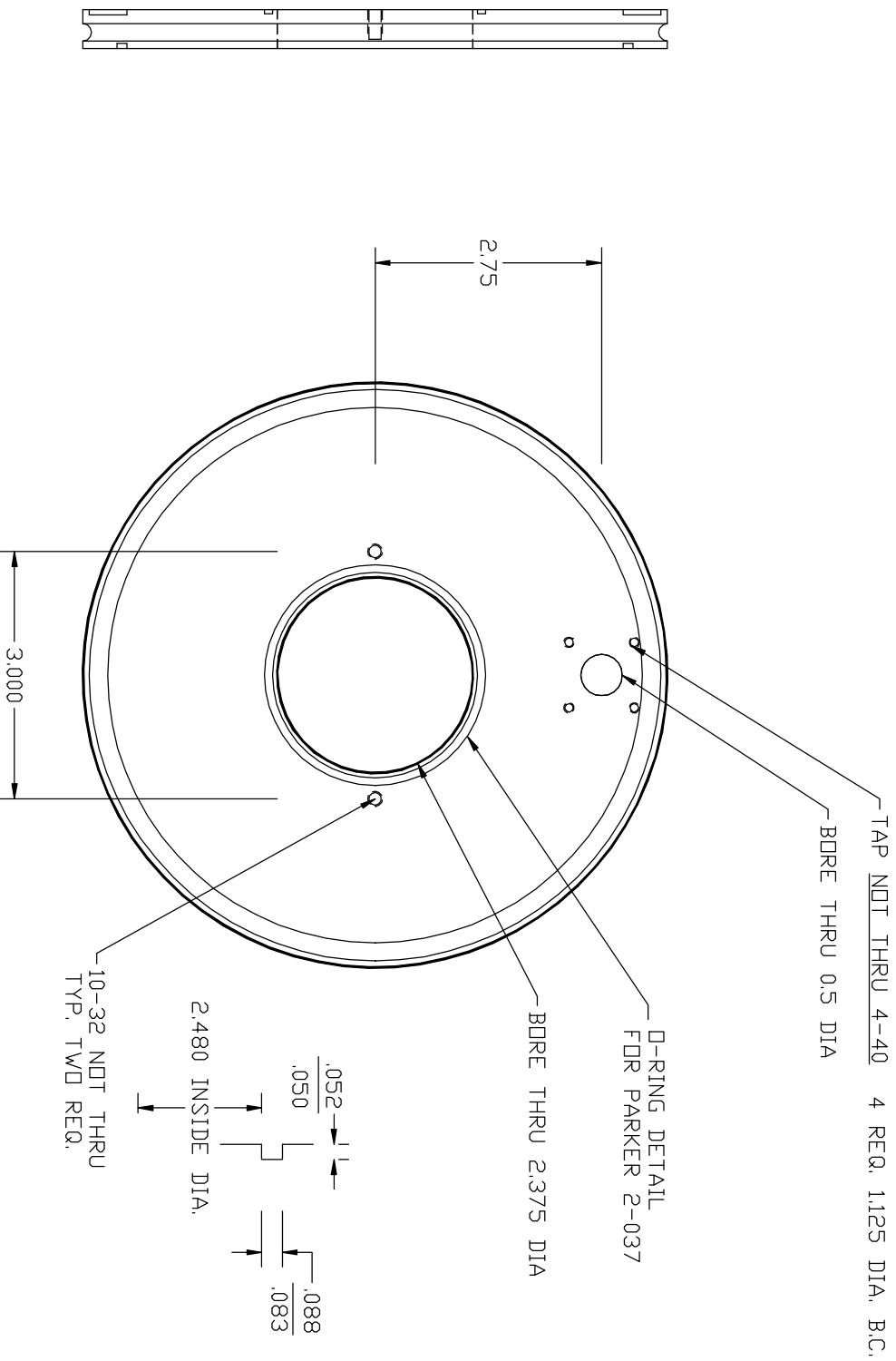


PART: REFRIGERATOR MOUNT
MAT'L: SS MDC: 812002
QTY: 1



LEUSCHNER OBSERVATORY

UNIVERSITY OF CALIFORNIA - BERKELEY

IR CAMERA

DEWAR

BACK PLATE - REFRIGERATOR MOUNT

DATE	7/23/98	SHOWN	IRCAM002	SCALE	NOT TO SCALE
BY	R. TREFFERS	DN		DWG	NO
DESIGN		TYPE	4	REV	IRCAM004