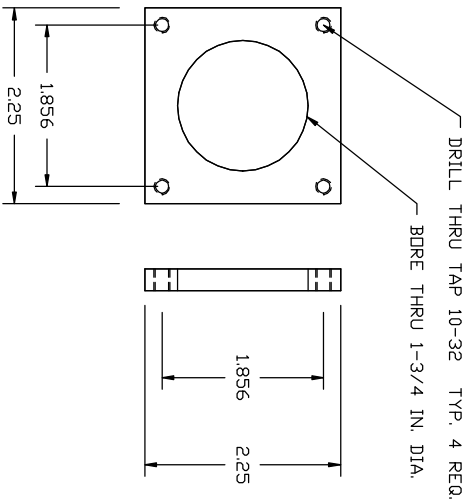


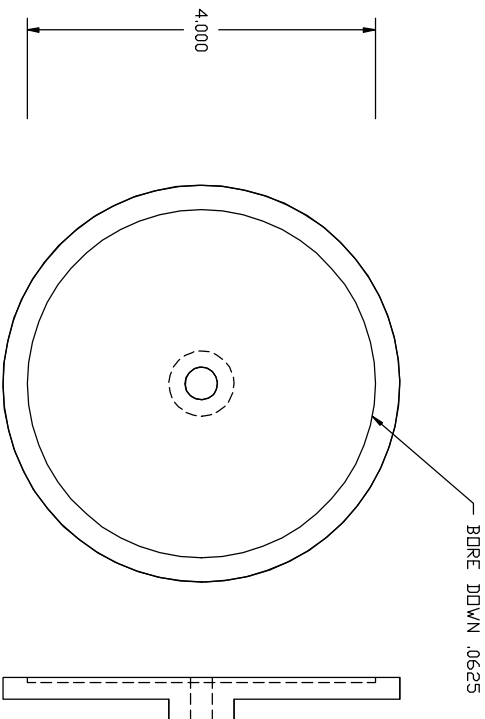
19
1

PART: MOTOR RETAINER
 MAT'L: 1/4 IN. AL.
 QTY: ONE



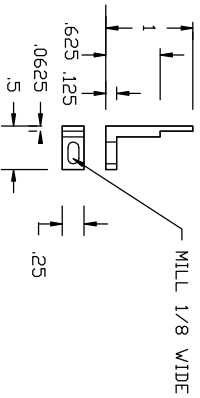
19
2

PART: SPROCKET MODIFICATIONS
 MAT'L: BERG SPROCKET
 QTY: ONE



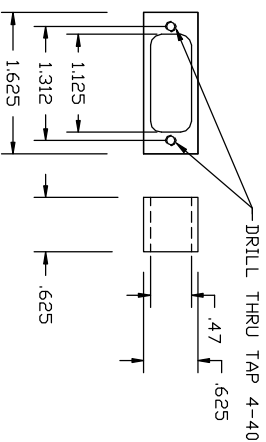
19
3

PART: HALL SENSOR MOUNT
 MAT'L: ALUMINUM
 QTY: ONE



19
4

PART: CONNECTOR SHELL
 MAT'L: ALUMINUM
 QTY: ONE



LEUSCHNER OBSERVATORY			
UNIVERSITY OF CALIFORNIA - BERKELEY			
BERKELEY AUTOMATED IMAGING TELESCOPE			
CAMERA AND GUIDER			
SMALL PARTS II			
DWG BY	R. TREFFERS	DATE	3/19/91
DRN		SPUN	37M001
REVISION		TYPE	D
		SCALE	Not To Scale
		DWG No	37M019
		REV	